



Serial No. 10/756,195 Docket No. 854163.412

Inventor(s): Osama Khouri et al.

Express Mail No. EV529813305US "REPLACEMENT SHEET"

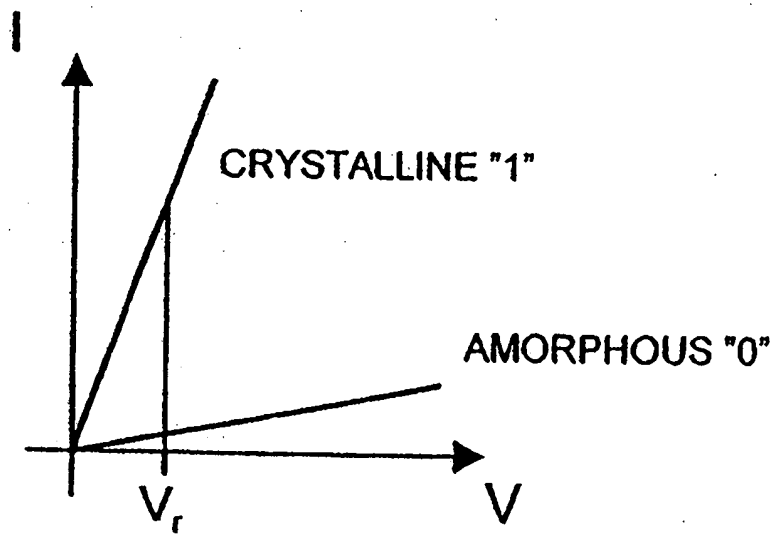


FIG. 1
(Prior Art)

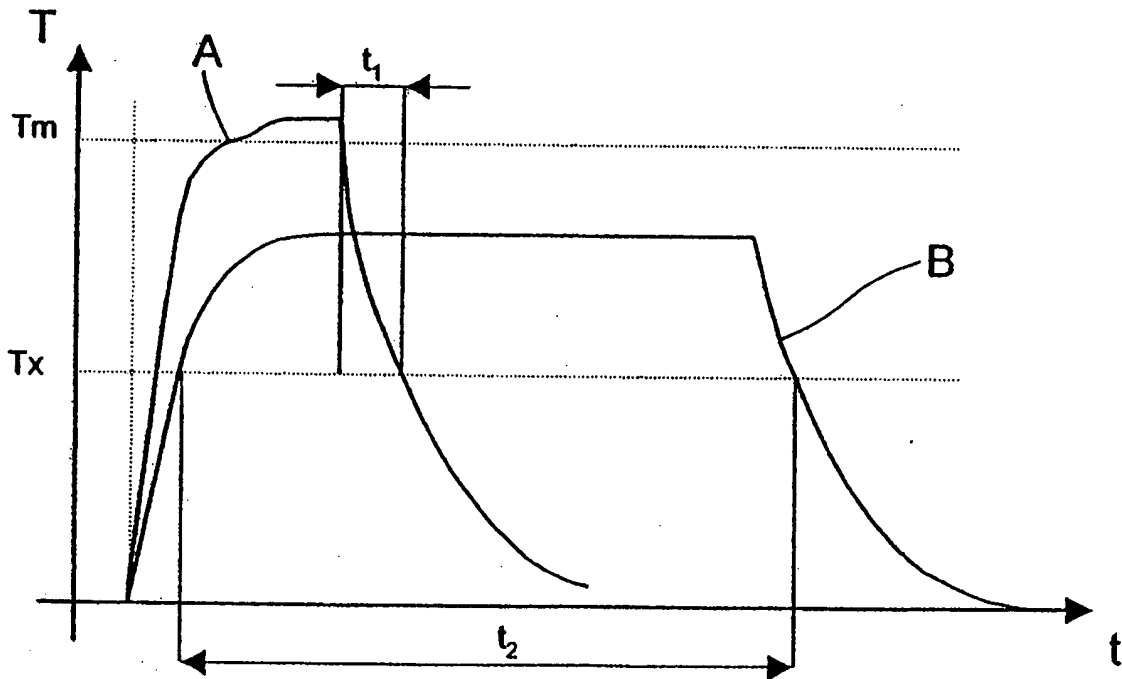


FIG. 2
(Prior Art)

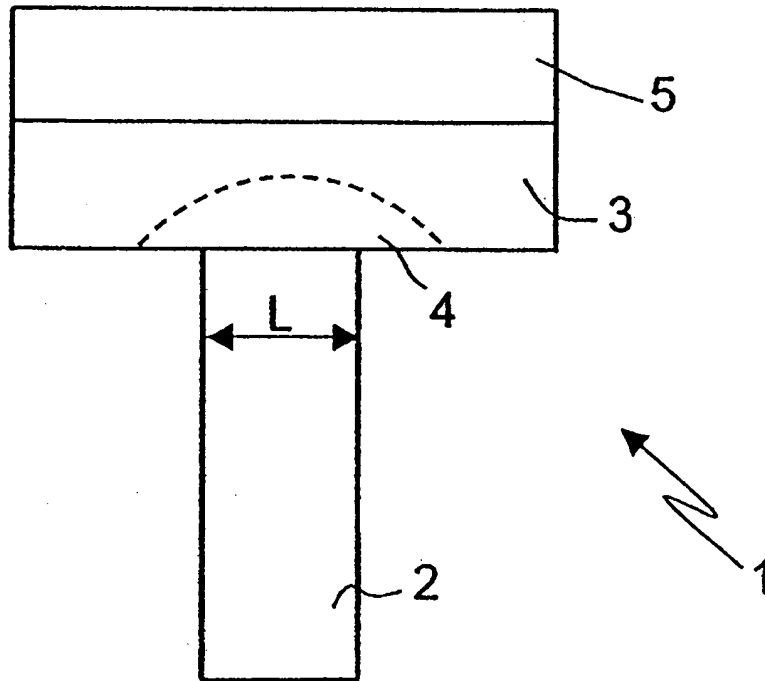


FIG. 3
(Prior Art)